

► Contents



S2950



S2961



S2957



S2986



KT01



KT02



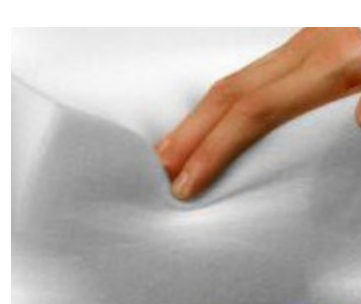
KT05



KT07







Easy to move with easy grip handle



Easy adjustment button



Huge chair base with extra space of storage



# CH-S2961



The back of a chair adaptive



Seat depth adjustable to meet different human buildings



Back & Seat up and down to adjust



## PRODUCT ADVANTAGES



Injection molding ABS frame, no paint ingredients



High density PU molding foam for backrest and seat

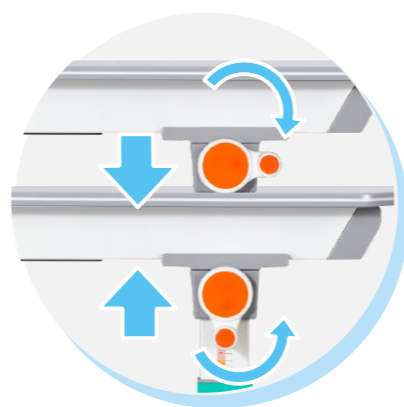


MIT fabric, elastic and soft, dirt-resistant, moisture-proofing, and fire-resistant.

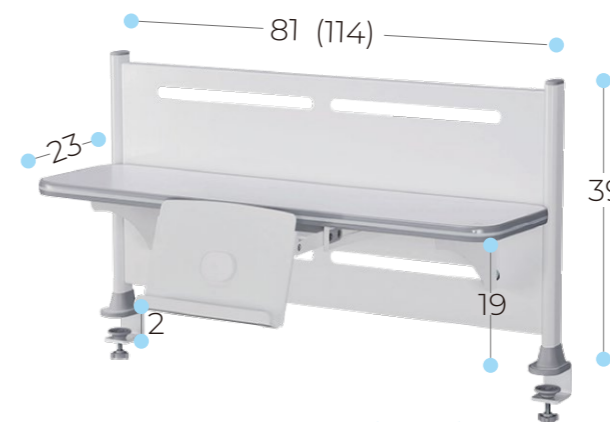




Tiltable table top  
(0 - 45deg) for different function



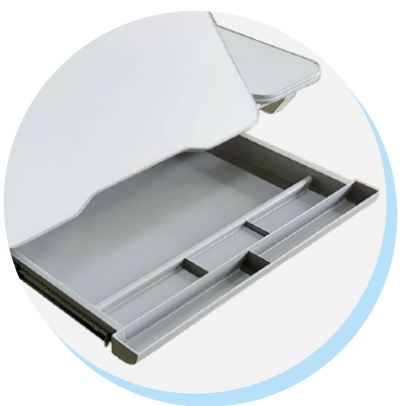
Easy height adjustment  
56~76cm stepless



BS01-090 (120)

**STORAGE SHELF**

Storage Shelf to organize your stuff.



Large drawer storage



Buffered hydraulic rod



BS02-090

**BOOK REST**

Book Rest preventing your book from sliding off the table while the table top is tilted.



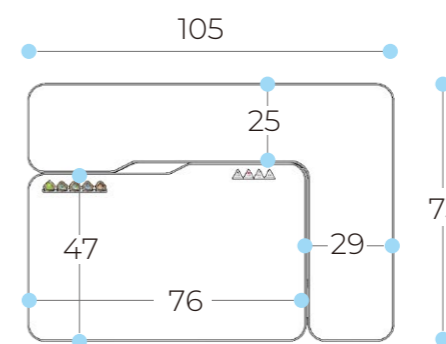
Strong handing hook



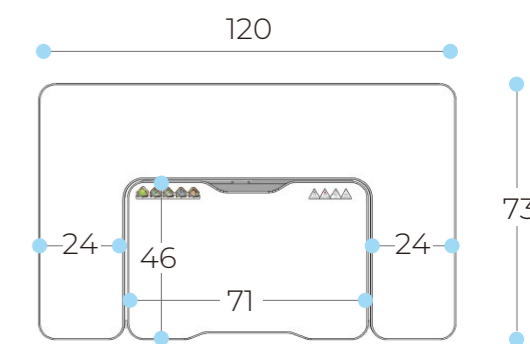
[Unit : cm]



Safety Hand Gap



J105



M120

[Unit : cm]

**KT02**





CH-S2960





Easy to move with easy grip handle



The back of a chair adaptive



( Unit : cm )



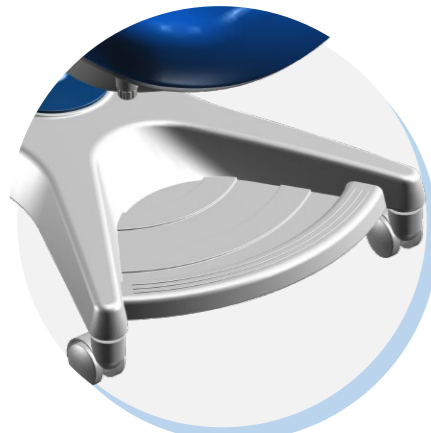
Easy adjustment button



Seat depth adjustable to meet different human buildings



Back & Seat up and down to adjust



Huge chair base with extra space of storage

# CH-S2950

## PRODUCT ADVANTAGES



Injection molding ABS frame, no paint ingredients



High density PU molding foam for backrest and seat

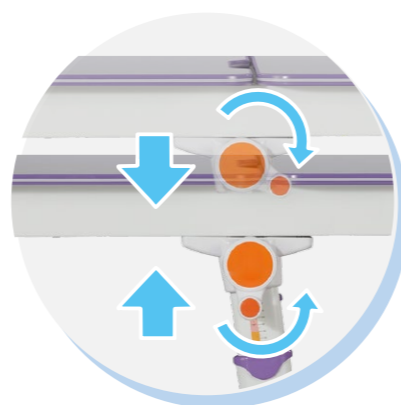


MIT fabric, elastic and soft, dirt-resistant, moisture-proofing, and fire-resistant.

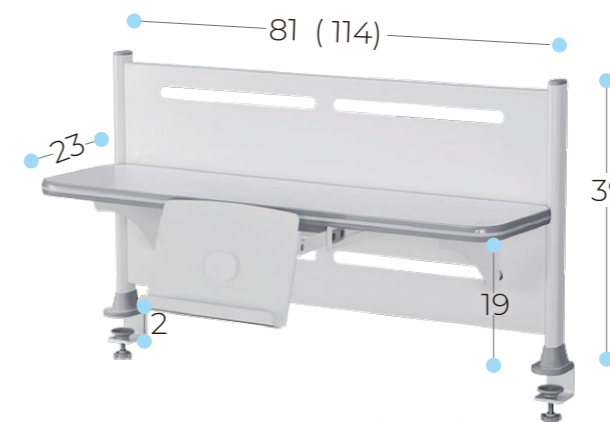




Tiltable table top  
(0 - 45deg) for different function



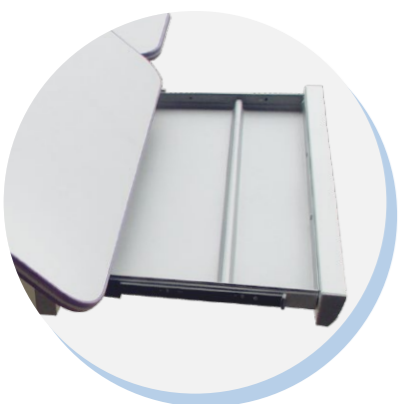
Easy height adjustment  
56~76cm stepless



BS01-090 (120)

**STORAGE SHELF**

Storage Shelf to  
organize your stuff.



Large drawer storage



Buffered hydraulic rod



BS02-090

**BOOK REST**

Book Rest preventing  
your book from sliding off  
the table while the  
table top is tilted.



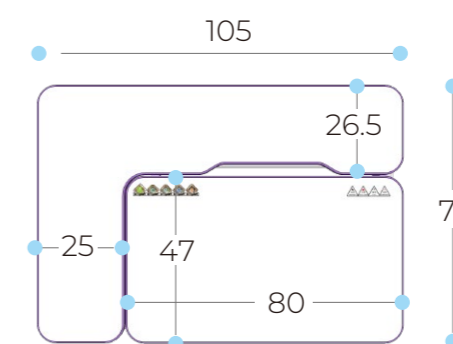
Strong handing hook



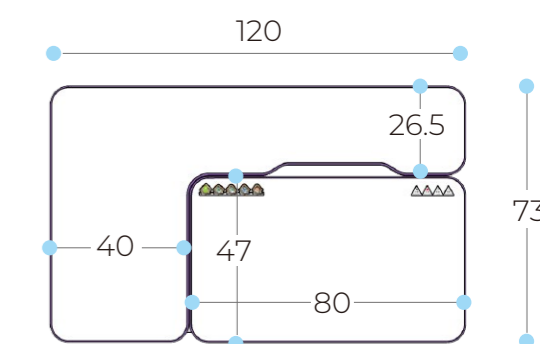
[ Unit : cm ]



Safety Hand Gap



L105



L120

[ Unit : cm ]

**KT01**









Back adjustable with switching knob



Easy adjustment button



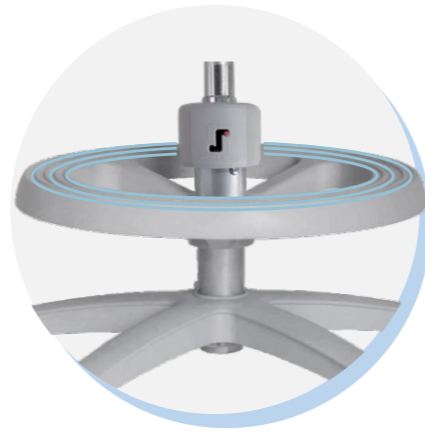
Optional accessory :  
Glide / Casters



# CH-S2957



Optional accessory :  
Seat Swivel Lockable



Optional accessory :  
Foot Rest ( S2986NXR )



Optional accessory :  
Foot Rest ( S2986NXF )



( Unit : cm )

## PRODUCT ADVANTAGES



Injection molding ABS frame, no paint ingredients



High density PU molding foam for backrest and seat

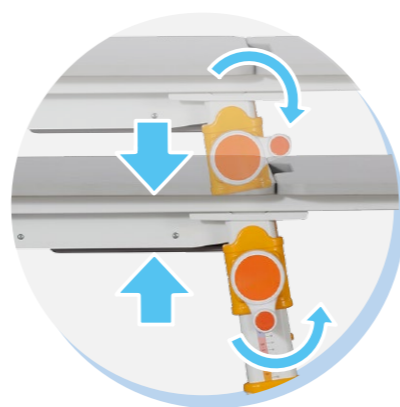


Breathable mesh elastic and soft, dirt-resistant , moisture.

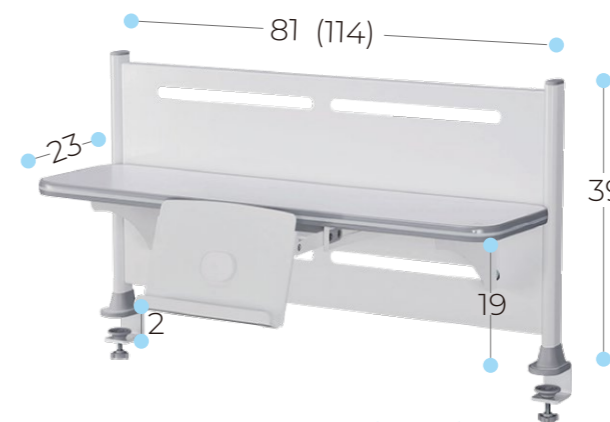




Tiltable table top  
(0 - 45deg) for different function



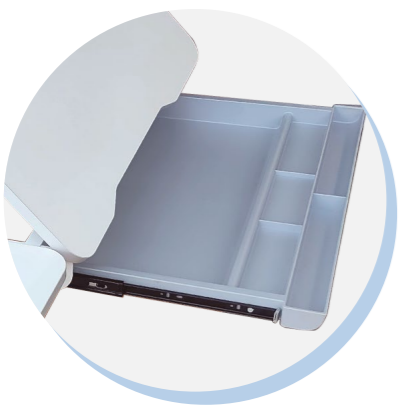
Easy height adjustment  
56~76cm stepless



BS01-090 (120)

**STORAGE SHELF**

Storage Shelf to organize your stuff.



Large drawer storage



Buffered hydraulic rod



BS02-090

**BOOK REST**

Book Rest preventing your book from sliding off the table while the table top is tilted.



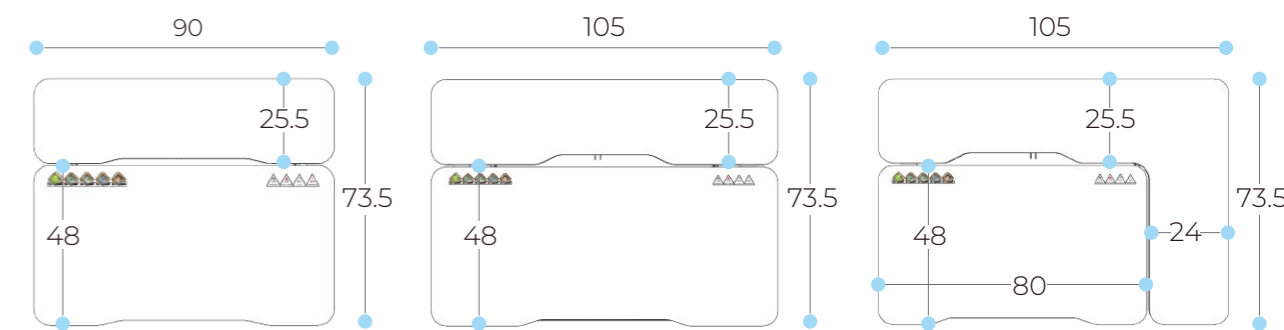
Strong handing hook



[ Unit : cm ]



Safety Hand Gap



D90

D105

J105

[ Unit : cm ]

**KT05**







Back adjustable with switching knob



Easy adjustment button



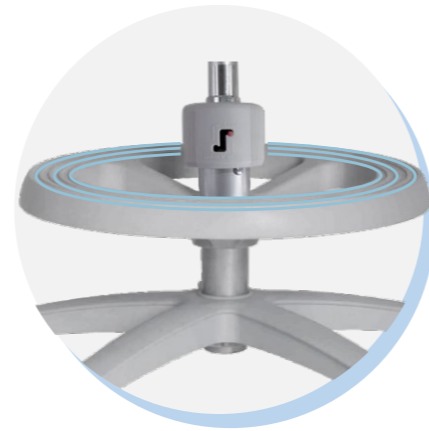
Optional accessory :  
Glide / Casters



# CH-S2986



Optional accessory :  
Seat Swivel Lockable



Optional accessory :  
Foot Rest ( S2986NXR )



Optional accessory :  
Foot Rest ( S2986NXF )



( Unit : cm )

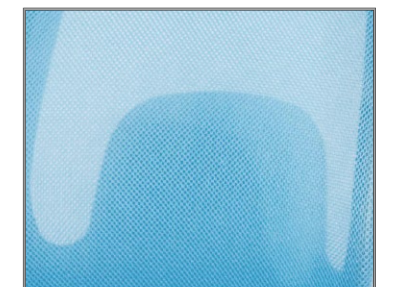
## PRODUCT ADVANTAGES



Injection molding ABS frame, no paint ingredients



High density PU molding foam for backrest and seat



Breathable mesh elastic and soft, dirt-resistant , moisture.

